



TYPE T124/134 TEMPERATURE/ PRESSURE PILOT

CONTROLS 20 to 500°F

- Precise, Rapid Response
- Vapor Tension Thermostat Spring Operated
- Self Contained
- Normally Open
- Packless Construction
- Fluid, Gas and Vapor Applications
- Strainer Screen Built-in
- Easy in-line Maintenance
- Temperature and Pressure in One Pilot

MODELS

- **TYPE T124** for heater operating pressures between 20 and 125 psi.
- **TYPE T134** for heater operating pressures up to 20 psi.

OPTIONS *See page 87*

- Stainless Steel Flexible Tubing
- Stainless Steel Capillary Tubing
- Tubing longer than 10'
- Thermostat Well
- Dial Thermometer
- Integral Mount
- Thermostat other than #700 (see Options Section)

TYPE T134 TEMPERATURE/PRESSURE PILOT

APPLICATION DATA

- Instantaneous Water Heaters
- Oil Heaters
- Storage Heaters
- Process Heaters
- Jacketed Kettles
- Vats
- Driers
- Ovens

RATINGS (Maximum Inlet Conditions)

Construction	Pressure PSIG (bar)	Temperature °F (°C)
Cast Iron	250 (17.2) @	450 (232)
Cast Steel	600 (41.4) @	750 (400)

TEMPERATURE RANGES (°F)

Temperature Range (°F)	Pressure Range (PSIG)	Temperature Range (°F)
20-120	150-300	300-400
50-150	170-270	330-430
70-170	250-350	400-500
120-220	290-390	

Canadian Registration # OC 0591.9C

SIZING INFO
PAGE 118

*Cast Steel available in T134 only.

THERMOSTATS

700	706	731
701	708	732
702	711	740
703	712	800
704	713	801

TYPICAL CONFIGURATIONS

TEMPERATURE & PRESSURE	ET124
TEMPERATURE & PRESSURE	ET134
TEMPERATURE & PRESSURE	E2T134
TEMPERATURE & PRESSURE	E5T124

TYPE T124/134 TEMPERATURE/ PRESSURE PILOT

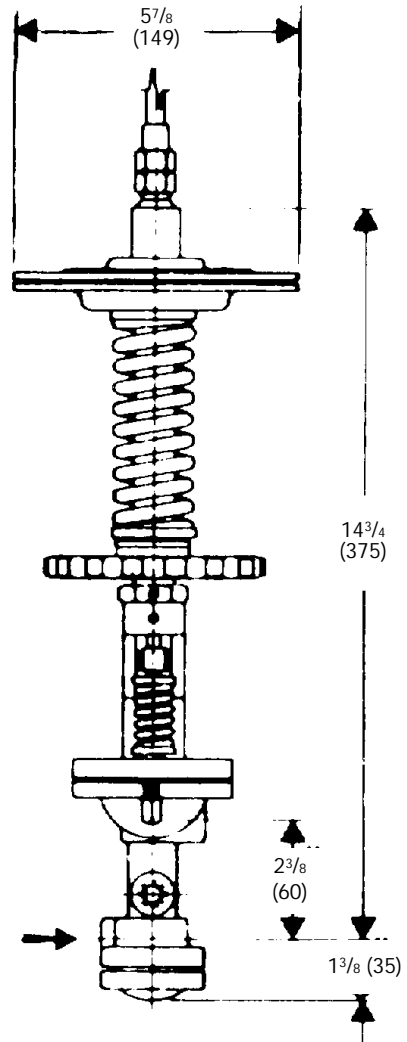
SPECIFICATION

Pilot valve shall be separate from the main valve and connected to it by unions. Pilot seats shall be protected by built-in strainer screens. Pilots shall be interchangeable on all sizes of main valves. Thermal elements shall provide a 100°F (38°C) range of temperature adjustment and shall withstand 100°F (38°C) overheating without damage. Handwheel adjustment for temperature shall be standard. Unless otherwise scheduled, thermal elements shall be equipped with 10 feet of brass flexible tubing. Number 700 bronze bulb and Number 728 bronze well shall be included except with instantaneous heaters serving intermittent demand. Steel wells shall be supplied for fuel oil service on storage tank applications.

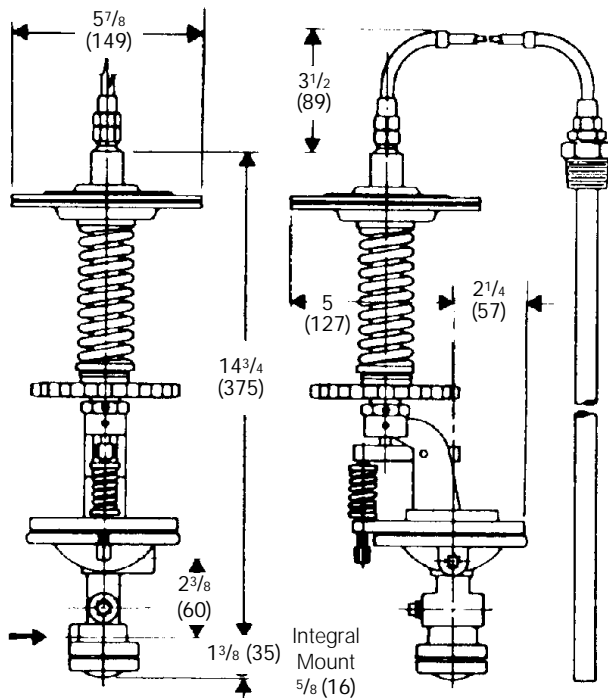
MATERIALS OF CONSTRUCTION

Body, Cast Iron	ASTM A126 CI B
Body, Cast Steel	ASTM A216 WCB
Stem416 St. Stl. ASTM A582-75
Disc440 St. St. ASTM A582 COND A
Seat420 St. Stl ASTM A582 COND A
Gasket	Graphite
Diaphragm301 St. Stl. MIL-5-5059C
Spring	Steel

TYPE T124/134 TEMP/
PRESSURE PILOT



**TYPE T124 PILOT
16 LBS. (7.3 KG)**



**TYPE T134 PILOT
18 LBS. (8.2 KG)**

